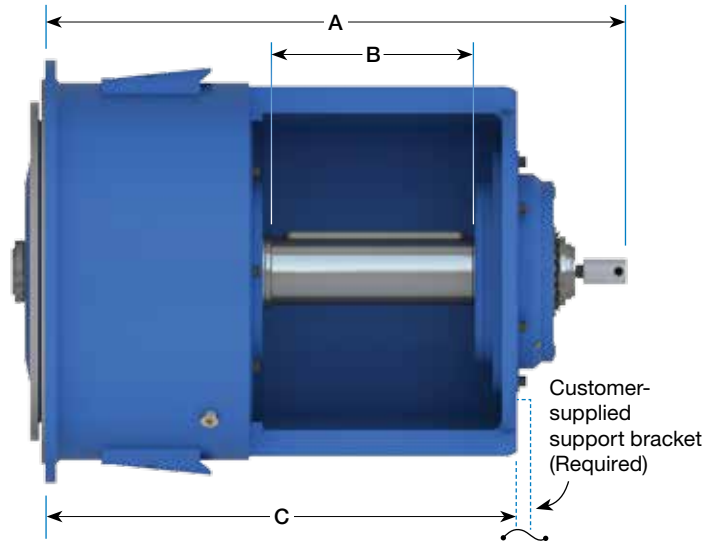


Type 1 PTO



Model	SAE Housings	A	Output Shaft			C	Sheave (Customer Supplied)	
			B	Dia	Keyway		Max Dia	Max Width ¹
314H (GEN II)	1, 0	29 1/2 (749.3)	9 1/2 (241.3)	3.938 (100.00)	1 x 1/2 (25.4 x 12.7)	23 7/8 (606.4)	17 (431.8)	12 7/8 (327.0)
318	0	38 3/4 (984.3)	13 5/16 (338.1)	4.500 (114.30)	1 x 1/2 (25.4 x 12.7)	31 1/2 (800.1)	18 (457.2)	15 5/16 (388.9)
318/Ext Version	0	44 3/4 (1136.7)	19 5/16 (490.5)	4.500 (114.30)	1 x 1/2 (25.4 x 12.7)	37 1/2 (952.5)	18 (457.2)	21 3/8 (542.9)
321	00	44 5/8 (1133.5)	19 15/16 (506.4)	4.750 (120.65)	1 1/4 x 5/8 (31.8 x 15.9)	39 3/4 (1009.7)	23 (584.2)	22 (558.8)
321/Short Version	00	35 5/8 (904.9)	11 (279.4)	4.750 (120.65)	1 1/4 x 5/8 (31.8 x 15.9)	30 3/4 (781.1)	23 (584.2)	13 (330.2)
321/Ext Version	00	47 5/8 (1209.7)	23 (584.2)	4.750 (120.65)	1 1/4 x 5/8 (31.8 x 15.9)	42 3/4 (1085.9)	23 (584.2)	25 (635.0)